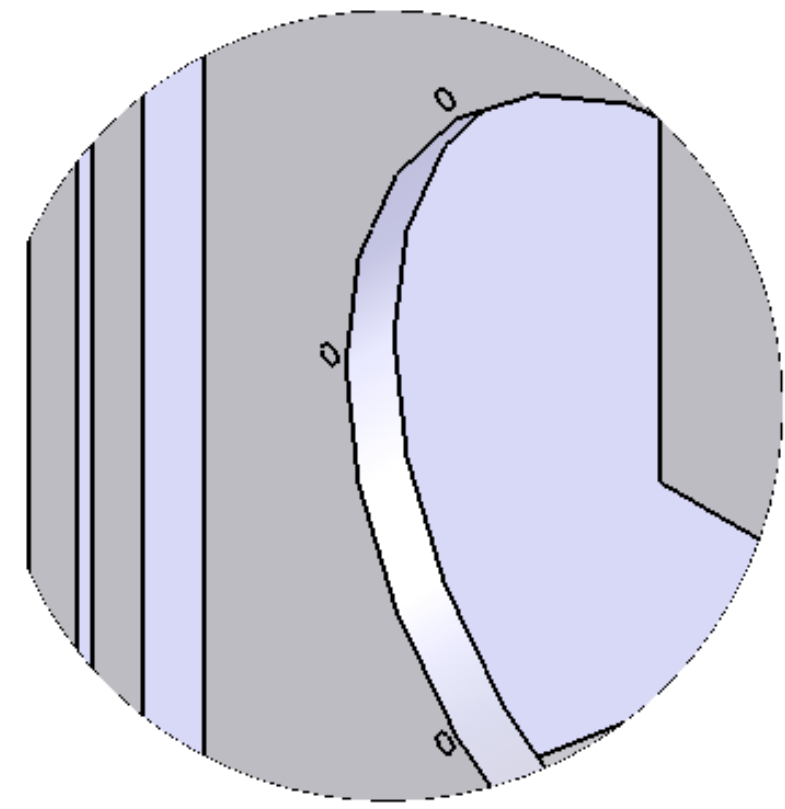
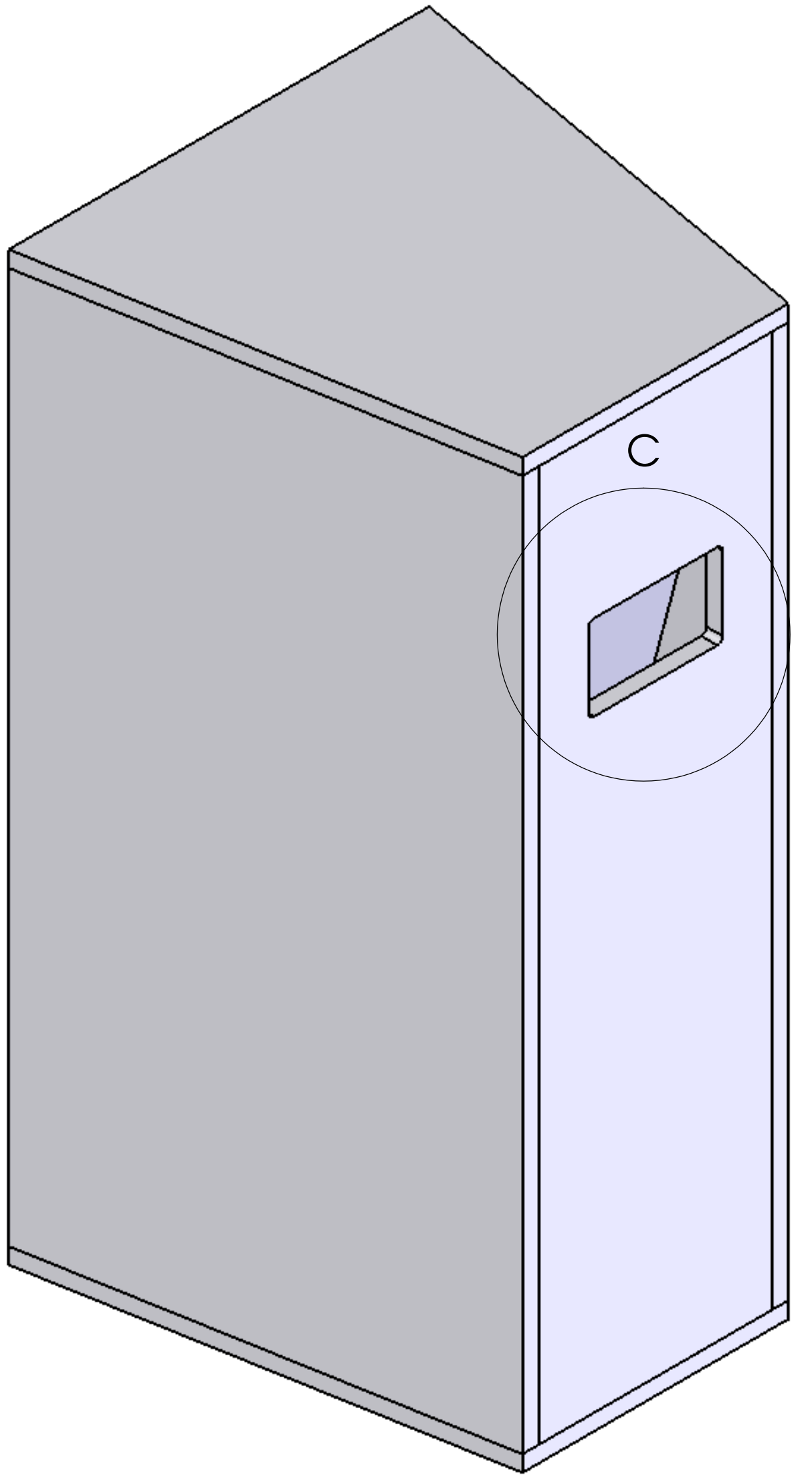
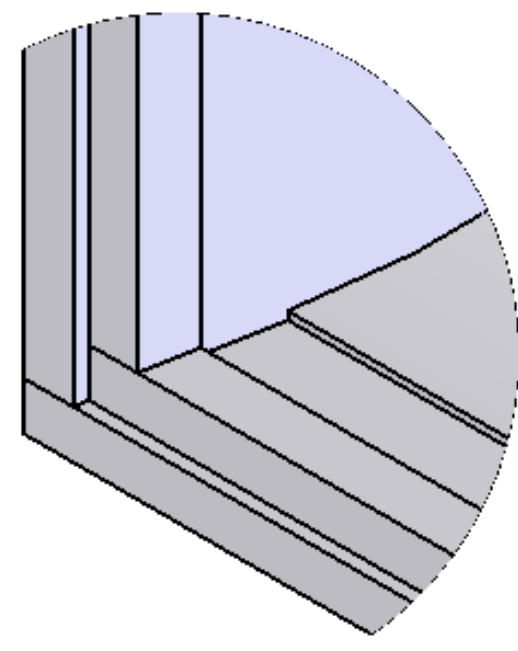



DETAIL C
SCALE 1 : 2



DETAIL D
SCALE 1 : 2



DETAIL A
SCALE 1 : 2

UNLESS OTHERWISE SPECIFIED: DIMENSIONS ARE IN MILLIMETERS		FINISH:		DEBUR AND BREAK SHARP EDGES		DO NOT SCALE DRAWING	
SURFACE FINISH:							
TOLERANCES:						EMAIL: matt@mattplanz.org Phone (USA) 001 + 213 361 1846 (UK) 0044 + 077 905 31160	
LINEAR:						TITLE:	
ANGULAR:						DRAWN	
						CHK'D	
						APP'VD	
						MFG	
						Q.A	
				MATERIAL:		DWG NO. 12 inch scoop	
				WEIGHT:		SCALE: 1:10	
						SHEET 1 OF 1	